

## Safety instructions

Important! Before commencing installation work disconnect the main cable from the power supply - remove fuse or turn switch to "OFF"!

1. Installation should be carried out in accordance with the local safety regulations.
2. Please ensure that all electrical connections (even preassembled lamps) are screwed tightly or are fully inserted as good contact is essential for a long life-span at high currents. Please check for tight connections after changing or adjusting lamps. Screwed connections must be tightened after 20 minutes.
3. Please do not place objects on your system (e.g. for decorative purposes) if they were not delivered with the system.
4. The lamps get very hot when in use. Please allow lamps to cool down before touching.
5. Do not change lamps or spots when switched on.
6. System should not be enlarged with additional lamps.
7. To avoid greasy fingerprints it is recommended to wear white cotton gloves when handling visible metal and glass parts.
8. If the external flexible cable or cord of this luminaire is damaged, it shall be exclusively replaced by the manufacturer or his service agent or a similar qualified person in order to avoid a hazard.
9. The glass used for this lamp is hand-blown. Only 1st quality has been chosen. Air bubbles and variations in thickness and colour is normal.
10. We reserve the right to make technical alterations.

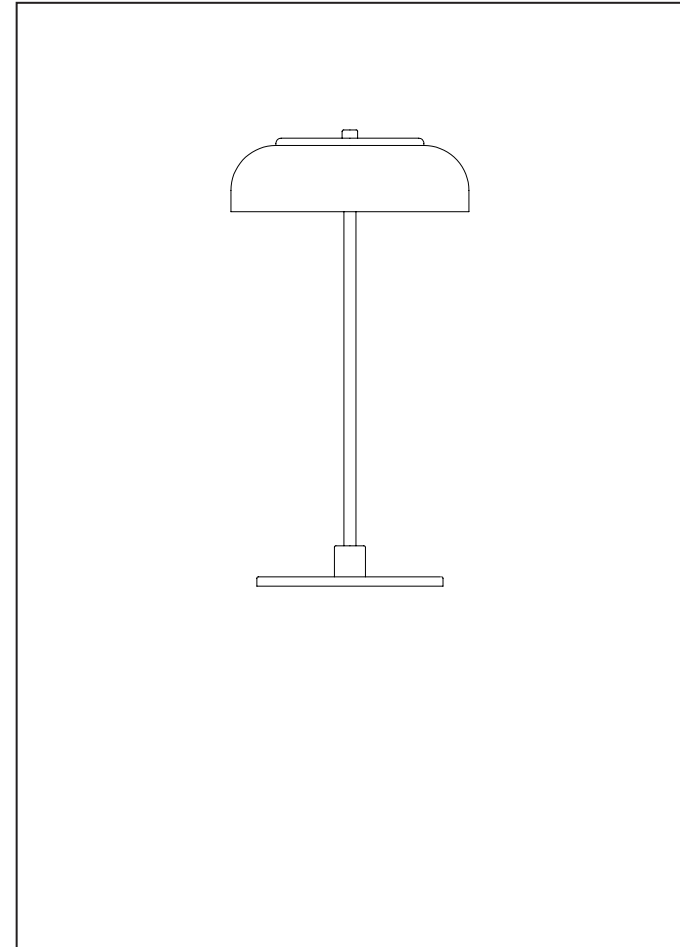
Please keep these instructions.

Fitting: Replaceable LED-module (D60-2835-3C6B-12V-6W)

2023-09-20 EU

# Blossi Table

## Assembly Instructions



NUURA

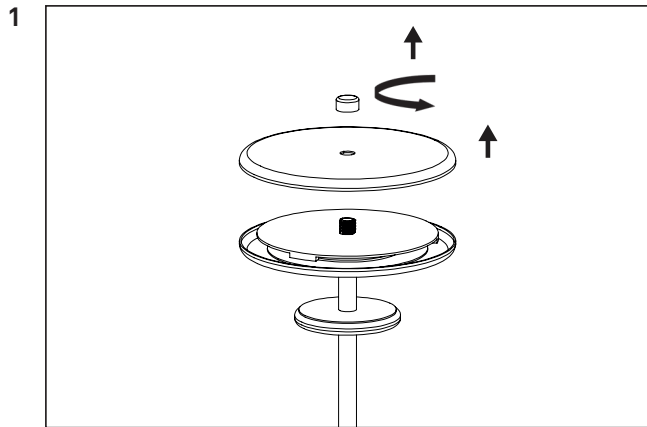
www.nuura.com  
info@nuura.com

© 2018 All rights reserved

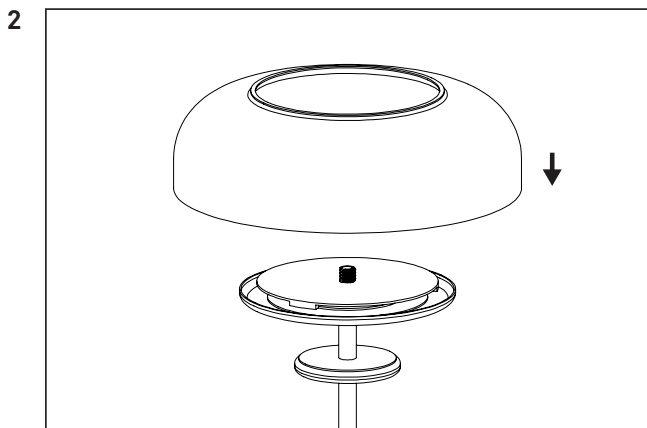


NUURA

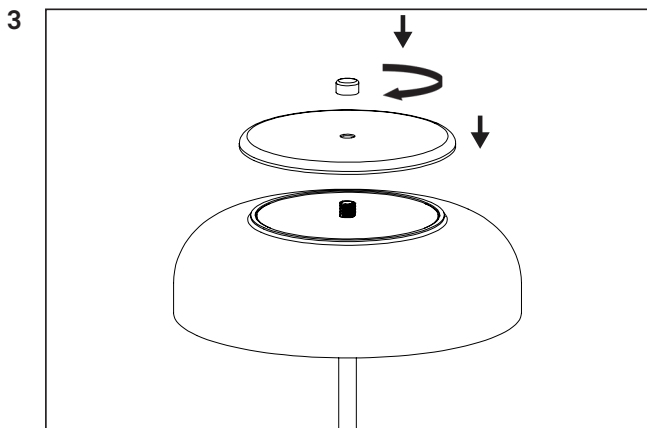
© 2018 All rights reserved



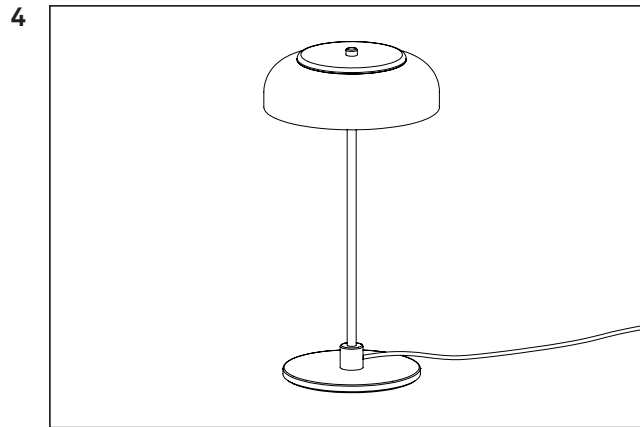
Unscrew the finger screw on top and remove the cover plate.



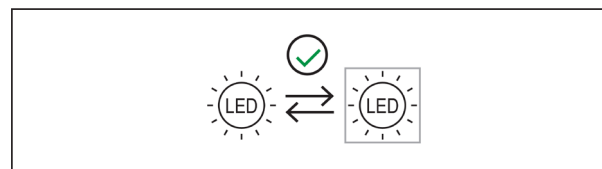
Place the glass over the top.



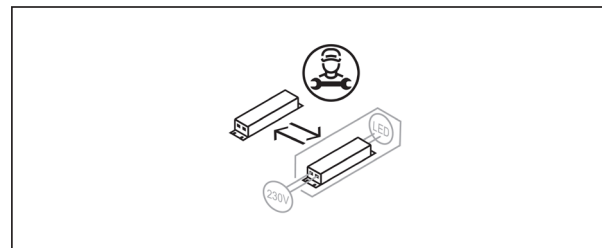
Place the cover plate back on top and tighten the finger screw.



Connect the power plug to an outlet and enjoy the lamp.



LED-module replaceable by end-user. Instructions at [www.nuura.com](http://www.nuura.com)



Driver must be replaced by professional.